

D7212GV2



Security Systems

EN | Program Record Sheet
Control Panel

BOSCH

This Program Record Sheet contains the entries found in the new record of the **GV2MAIN, RADXUSR1, RADXUSR2, RADXPNTS, RADXSKED, and GV2AUX**, product handlers. It includes all custom options.



Please note that the D7212GV2 Control Panel has different capabilities and different programming requirements than all other control panels in the 9000GV2 Series. Using this manual to program any other control panel might cause unexpected results. **Please refer to the appropriate program record sheet when programming your control panel.**

SUMMARY ACCOUNT INFORMATION

Subscriber Name	_____	Date	_____
Address	_____		
City / State / Zip	_____		
Premises Phone	_____		
Installer Name	_____	Record Name	_____
Control Panel Location	_____	Phone #	_____
Aux Power Current Load	_____ mA	AC Voltage	_____ VAC
Earth Ground Location	_____	Battery Voltage	_____ VDC
Transformer Location	_____	RJ31X/RJ38X	_____
Bell/Siren Locations	_____		

Area	Account #	Area Description
1	_____	_____ _____ _____
2	_____	_____ _____ _____
3	_____	_____ _____ _____
4	_____	_____ _____ _____ _____

Default values are shown in () or in **bold**

GV2MAIN Handler

Panel Wide Parameters

Phone

Phone 1 _____
 Phone 2 _____
 Phone 3 _____
 Phone 4 _____

Phone Parameters

Modem Format	Yes / No	Buzz On Fail	Yes / No
Point/User Flag	Yes / No	Two Phone Lines	Yes / No
DTMF Dialing	Yes / No	BFSK Duress Code (0)	_____
Phone Supv Time (Blank)	_____	Expand Test Rpt	Yes / No
Alarm On Fail	Yes / No		

Routing

Routing Options: Primary (Blank, 1 to 4), Backup (Blank, 1 to 4)

	Route 1	Route 2	Route 3	Route 4
Primary Device (Blank)	_____	_____	_____	_____
Backup Device (Blank)	_____	_____	_____	_____

View Events Yes / **No**

Fire Reports

	Route 1	Route 2	Route 3	Route 4
Fire Alarm	Yes / No	Yes / No	Yes / No	Yes / No
Fire Restoral* (After Alarm)	Yes / No	Yes / No	Yes / No	Yes / No
Fire Missing	Yes / No	Yes / No	Yes / No	Yes / No
Fire Trouble	Yes / No	Yes / No	Yes / No	Yes / No
Fire Supervision	Yes / No	Yes / No	Yes / No	Yes / No
Fire Restoral*	Yes / No	Yes / No	Yes / No	Yes / No
Fire Cancel	Yes / No	Yes / No	Yes / No	Yes / No
Fire Supervision Missing	Yes / No	Yes / No	Yes / No	Yes / No
Fire Supervision Restoral	Yes / No	Yes / No	Yes / No	Yes / No

Burglar Reports

Alarm Report	Yes / No	Yes / No	Yes / No	Yes / No
Burg Restore	Yes / No	Yes / No	Yes / No	Yes / No
Duress	Yes / No	Yes / No	Yes / No	Yes / No
Missing Alarm	Yes / No	Yes / No	Yes / No	Yes / No
User Code Tamper	Yes / No	Yes / No	Yes / No	Yes / No
Trouble Report**	Yes / No	Yes / No	Yes / No	Yes / No
Missing Trouble	Yes / No	Yes / No	Yes / No	Yes / No
Non-Fire Supervision	Yes / No	Yes / No	Yes / No	Yes / No
Point Bus Fail	Yes / No	Yes / No	Yes / No	Yes / No
Point Bus Restoral	Yes / No	Yes / No	Yes / No	Yes / No
Non-Fire Cancel	Yes / No	Yes / No	Yes / No	Yes / No
Alarm Restore	Yes / No	Yes / No	Yes / No	Yes / No
Supervision Missing	Yes / No	Yes / No	Yes / No	Yes / No
Unverified Event [†]	Yes / No	Yes / No	Yes / No	Yes / No

Routing Table continued on next page

* Restoral after Trb/Msg/Sup/Bypass. Refer to Fire Supervision Res Event Type prompt in GV2AUX for further programming information.

** Trouble Reports include Point Low Battery conditions from Premises RF Points.

† This event is available only with the D9412GV2 and is not reported using BFSK format. Additionally, this event will not produce a corresponding Restoral event.

Heavy outline indicates parameters are available only when View Events is programmed **Yes**.

GV2MAIN Handler

Default values are shown in () or in **bold****Panel Wide Parameters (continued)****Routing (continued)**

User Reports	Route 1	Route 2	Route 3	Route 4
Point Bypass/Command Bypass	Yes / No	Yes / No	Yes / No	Yes / No
Forced Point	Yes / No	Yes / No	Yes / No	Yes / No
Point Opening	Yes / No	Yes / No	Yes / No	Yes / No
Point Closing	Yes / No	Yes / No	Yes / No	Yes / No
Was Force Armed	Yes / No	Yes / No	Yes / No	Yes / No
Fail To Open	Yes / No	Yes / No	Yes / No	Yes / No
Fail To Close	Yes / No	Yes / No	Yes / No	Yes / No
Extend Close Time	Yes / No	Yes / No	Yes / No	Yes / No
Opening Report	Yes / No	Yes / No	Yes / No	Yes / No
Forced Close	Yes / No	Yes / No	Yes / No	Yes / No
Closing Report	Yes / No	Yes / No	Yes / No	Yes / No
Forced Close Perim Instant	Yes / No	Yes / No	Yes / No	Yes / No
Forced Close Perim Delay	Yes / No	Yes / No	Yes / No	Yes / No
Perimeter Instant Armed	Yes / No	Yes / No	Yes / No	Yes / No
Perimeter Delay Armed	Yes / No	Yes / No	Yes / No	Yes / No
Send User Text	Yes / No	Yes / No	Yes / No	Yes / No

Test Reports

S: Alarm	Yes / No	Yes / No	Yes / No	Yes / No
S: Trouble	Yes / No	Yes / No	Yes / No	Yes / No
S: Supervision	Yes / No	Yes / No	Yes / No	Yes / No
Status Report	Yes / No	Yes / No	Yes / No	Yes / No
S: Open	Yes / No	Yes / No	Yes / No	Yes / No
S: Close	Yes / No	Yes / No	Yes / No	Yes / No
Test Report*	Yes / No	Yes / No	Yes / No	Yes / No
S: Perimeter Instant	Yes / No	Yes / No	Yes / No	Yes / No
S: Perimeter Delay	Yes / No	Yes / No	Yes / No	Yes / No
S: Fire Supervision	Yes / No	Yes / No	Yes / No	Yes / No
S: Fire Alarm	Yes / No	Yes / No	Yes / No	Yes / No
S: Fire Trouble	Yes / No	Yes / No	Yes / No	Yes / No
S: Missing Fire (Trouble)	Yes / No	Yes / No	Yes / No	Yes / No
S: Missing Burglary (Trouble)	Yes / No	Yes / No	Yes / No	Yes / No
S: Missing Burglary (Alarm)	Yes / No	Yes / No	Yes / No	Yes / No
S: Fire Supervision Missing	Yes / No	Yes / No	Yes / No	Yes / No
S: Burglary Supervision Missing	Yes / No	Yes / No	Yes / No	Yes / No

Routing Table continued on next page

* Refer to the D7212GV2 Program Entry Guide (P/N: F01U003804) for additional information about generating off-normal test reports.

Default values are shown in () or in **bold**

GV2MAIN Handler

Panel Wide Parameters (continued)**Routing (continued)**

Diagnostic Reports	Route 1	Route 2	Route 3	Route 4
SDI Device Failure	Yes / No	Yes / No	Yes / No	Yes / No
SDI Device Restoral	Yes / No	Yes / No	Yes / No	Yes / No
Watchdog Reset	Yes / No	Yes / No	Yes / No	Yes / No
Parameter Checksum Fail	Yes / No	Yes / No	Yes / No	Yes / No
Reboot	Yes / No	Yes / No	Yes / No	Yes / No
Phone Line Fail	Yes / No	Yes / No	Yes / No	Yes / No
Phone Line Restoral	Yes / No	Yes / No	Yes / No	Yes / No
AC Failure	Yes / No	Yes / No	Yes / No	Yes / No
AC Restoral	Yes / No	Yes / No	Yes / No	Yes / No
Battery Missing	Yes / No	Yes / No	Yes / No	Yes / No
Battery Low	Yes / No	Yes / No	Yes / No	Yes / No
Battery Restoral	Yes / No	Yes / No	Yes / No	Yes / No
Route Comm Fail	Yes / No	Yes / No	Yes / No	Yes / No
Route Comm Restore	Yes / No	Yes / No	Yes / No	Yes / No
Checksum Fail	Yes / No	Yes / No	Yes / No	Yes / No
Network Fail	Yes / No	Yes / No	Yes / No	Yes / No
Network Restoral	Yes / No	Yes / No	Yes / No	Yes / No
Network Condition	Yes / No	Yes / No	Yes / No	Yes / No

Relay Reports

Sensor Reset	Yes / No	Yes / No	Yes / No	Yes / No
Relay Set	Yes / No	Yes / No	Yes / No	Yes / No
Relay Reset	Yes / No	Yes / No	Yes / No	Yes / No

Auto Function Reports

Sked Executed	Yes / No	Yes / No	Yes / No	Yes / No
Sked Changed	Yes / No	Yes / No	Yes / No	Yes / No
Fail to Execute	Yes / No	Yes / No	Yes / No	Yes / No

RPS Reports

Event Log Threshold	Yes / No	Yes / No	Yes / No	Yes / No
Event Log Overflow	Yes / No	Yes / No	Yes / No	Yes / No
Parameters Changed	Yes / No	Yes / No	Yes / No	Yes / No
RPS Access OK	Yes / No	Yes / No	Yes / No	Yes / No
RPS Access Fail	Yes / No	Yes / No	Yes / No	Yes / No
Remote Reset	Yes / No	Yes / No	Yes / No	Yes / No
Program Access OK	Yes / No	Yes / No	Yes / No	Yes / No
Program Access Fail	Yes / No	Yes / No	Yes / No	Yes / No

Point Reports

Service Start	Yes / No	Yes / No	Yes / No	Yes / No
Service End	Yes / No	Yes / No	Yes / No	Yes / No
Fire Walk Start	Yes / No	Yes / No	Yes / No	Yes / No
Fire Walk End	Yes / No	Yes / No	Yes / No	Yes / No
Walk Test Start	Yes / No	Yes / No	Yes / No	Yes / No
Walk Test End	Yes / No	Yes / No	Yes / No	Yes / No
Extra Point	Yes / No	Yes / No	Yes / No	Yes / No
Send Point Text	Yes / No	Yes / No	Yes / No	Yes / No
RF Low Battery	Yes / No	Yes / No	Yes / No	Yes / No
RF Low Battery Restore	Yes / No	Yes / No	Yes / No	Yes / No

Routing Table continued on next page

GV2MAIN HandlerDefault values are shown in () or in **bold****Panel Wide Parameters (continued)****Routing (continued)**

User Change Reports	Route 1	Route 2	Route 3	Route 4
Date Changed	Yes / No	Yes / No	Yes / No	Yes / No
Time Changed	Yes / No	Yes / No	Yes / No	Yes / No
Delete User	Yes / No	Yes / No	Yes / No	Yes / No
User Code Change	Yes / No	Yes / No	Yes / No	Yes / No
Area Watch	Yes / No	Yes / No	Yes / No	Yes / No
Change Level	Yes / No	Yes / No	Yes / No	Yes / No

Enhanced Routing

RG1 Primary SDI	Yes / No
RG1 Backup SDI	Yes / No
RG1 Pager	Yes / No
RG2 Primary SDI	Yes / No
RG2 Backup SDI	Yes / No
RG2 Pager	Yes / No
RG3 Primary SDI	Yes / No
RG3 Backup SDI	Yes / No
RG3 Pager	Yes / No
RG4 Primary SDI	Yes / No
RG4 Backup SDI	Yes / No
RG4 Pager	Yes / No

Power Supervision

AC Fail Time* (1)	_____
AC Fail/Res Rpt	Yes / No
AC Tag Along	Yes / No
AC/Battery Buzz	Yes / No
Bat Fail/Res Rpt	Yes / No

* Refer to the D7212GV2 Program Entry Guide (P/N: F01U003804) for the AC Fail Time interval.

Default values are shown in () or in **bold**


GV2MAIN Handler

Panel Wide Parameters (continued)

Printer Parameters

	Address #17
Area Assignment (1) Supervision Scope*	Yes / No
Area 1 in Scope	Yes / No
Area 2 in Scope	Yes / No
Area 3 in Scope	Yes / No
Area 4 in Scope	Yes / No
Fire Events	Yes / No
Burglar Events	Yes / No
Access Events	Yes / No
User Events	Yes / No
Test Events	Yes / No
Diagnostic Events	Yes / No
Auto Function Events	Yes / No
RPS Events	Yes / No
Relay Events	Yes / No
Point Events	Yes / No
User Change Events	Yes / No

* Scope Options: Account, Area, Panel-Wide, Custom, No Printer (Default = No Printer)

 Double outline indicates parameters are individually programmable only when Scope is programmed CUSTOM.

RPS Parameters

RPS Passcode (999999) _____
 Log % Full (Blank) _____
 RPS Call Back Yes / **No**
 RPS Line Monitor **Yes** / No
 Answer Armed (7) _____
 Answer Disarmed (7) _____
 RPS Phone: _____

Miscellaneous

Duress Type 1 or 2
 Cancel Reports Yes / **No**

GV2MAIN Handler

Default values are shown in () or in **bold**

Area Wide Parameters

Area Parameters

	Area 1	Area 2	Area 3	Area 4
Area On	Yes / No	Yes / No	Yes / No	Yes / No
Account Number (0000)	_____	_____	_____	_____
FA Bypass Max (1)	_____	_____	_____	_____
Delay Res	Yes / No	Yes / No	Yes / No	Yes / No
Exit Tone	Yes / No	Yes / No	Yes / No	Yes / No
Exit Dly Time (60)	_____	_____	_____	_____
Auto Watch	Yes / No	Yes / No	Yes / No	Yes / No
Verify Time (60)	_____	_____	_____	_____
Duress Enable	Yes / No	Yes / No	Yes / No	Yes / No
Area Type* (Regular)	_____	_____	_____	_____
Two-Man Rule	Yes / No	Yes / No	Yes / No	Yes / No
Early Ambush	Yes / No	Yes / No	Yes / No	Yes / No

* Area Type options: Regular / Master / Assoc / Shared

Bell Parameters

	Area 1	Area 2	Area 3	Area 4
Fire Time (6)	_____	_____	_____	_____
Fire Pattern** (Pulse)	_____	_____	_____	_____
Burg Time (6)	_____	_____	_____	_____
Burg Pattern** (Steady)	_____	_____	_____	_____
Single Ring	Yes / No	Yes / No	Yes / No	Yes / No
Bell Test	Yes / No	Yes / No	Yes / No	Yes / No

** Pattern options: Steady / Pulse March Time / CA Standard / Temporal Code 3

Open/Close Options

	Area 1	Area 2	Area 3	Area 4
Acct O/C	Yes / No	Yes / No	Yes / No	Yes / No
Area O/C	Yes / No	Yes / No	Yes / No	Yes / No
Disable O/C in Window	Yes / No	Yes / No	Yes / No	Yes / No
Auto Close	Yes / No	Yes / No	Yes / No	Yes / No
Fail To Open	Yes / No	Yes / No	Yes / No	Yes / No
Fail To Close	Yes / No	Yes / No	Yes / No	Yes / No
Latest Close Time	00:00	00:00	00:00	00:00
Restricted O/C	Yes / No	Yes / No	Yes / No	Yes / No
Perimeter O/C	Yes / No	Yes / No	Yes / No	Yes / No

Default values are shown in () or in **bold**

GV2MAIN Handler

Keypad (Command Center)

Keypad Assignments

	Address 1	Address 2	Address 3	Address 4	Address 5	Address 6	Address 7	Address 8
Supervision	Yes / No	Yes / No	Yes / No	Yes / No	Yes / No	Yes / No	Yes / No	Yes / No
Area Assigned (1)	_____	_____	_____	_____	_____	_____	_____	_____
Scope*	Panel- Wide	_____	_____	_____	_____	_____	Area	Area
Area 1 in Scope	Yes / No	Yes / No	Yes / No	Yes / No	Yes / No	Yes / No	Yes / No	Yes / No
Area 2 in Scope	Yes / No	Yes / No	Yes / No	Yes / No	Yes / No	Yes / No	Yes / No	Yes / No
Area 3 in Scope	Yes / No	Yes / No	Yes / No	Yes / No	Yes / No	Yes / No	Yes / No	Yes / No
Area 4 in Scope	Yes / No	Yes / No	Yes / No	Yes / No	Yes / No	Yes / No	Yes / No	Yes / No
Passcode Follows Scope	Yes / No	Yes / No	Yes / No	Yes / No	Yes / No	Yes / No	Yes / No	Yes / No
Enter Key Relay (Blank)	_____	_____	_____	_____	_____	_____	_____	_____
Enter Key Cycle Door	Yes / No	Yes / No	Yes / No	Yes / No	Yes / No	Yes / No	Yes / No	Yes / No
Assign Door (Blank)	_____	_____	_____	_____	_____	_____	_____	_____
Trouble Tone	Yes / No	Yes / No	Yes / No	Yes / No	Yes / No	Yes / No	Yes / No	Yes / No
Entry Tone	Yes / No	Yes / No	Yes / No	Yes / No	Yes / No	Yes / No	Yes / No	Yes / No
Exit Tone	Yes / No	Yes / No	Yes / No	Yes / No	Yes / No	Yes / No	Yes / No	Yes / No
Arm Area Warning Tone	Yes / No	Yes / No	Yes / No	Yes / No	Yes / No	Yes / No	Yes / No	Yes / No
Close Door Warning Tone	Yes / No	Yes / No	Yes / No	Yes / No	Yes / No	Yes / No	Yes / No	Yes / No
Enhanced Cmd Ctr**	Yes / No	Yes / No	Yes / No	Yes / No	Yes / No	Yes / No	Yes / No	Yes / No
Menu Key Lock	Yes / No	Yes / No	Yes / No	Yes / No	Yes / No	Yes / No	Yes / No	Yes / No

* Scope Options: Account, Area, Panel-Wide, Custom, No Keypad. Default Address 1 = Panel-Wide; Address 2 to 6 = No Keypad. Address 7 and 8 = Area. Address 7 has this parameter set to Yes, and is configured to communicate with a D1260 Keypad that is programmed as Address 7.

** Set Enhanced Cmd Ctr (keypad) prompt to Yes if a D1260 Alpha V Command Center (Keypad) is installed at this address.



Double line outline indicates parameters are individually programmable only when Scope is programmed CUSTOM.

Keypad (Command Center) Installation Locations

1	9	17	25
2	10	18	26
3	11	19	27
4	12	20	28
5	13	21	29
6	14	22	30
7	15	23	31
8	16	24	32

GV2MAIN Handler

Default values are shown in () or in **bold**

Keypad (continued)

Area Text

Area 1

Area # Is On	(A1 AREA 1 IS ON)	_____
Area # Not Ready	(A1 NOT READY)	_____
Area # Is Off	(A1 AREA 1 IS OFF)	_____
Area # Acct Is On	(A1 ACCOUNT IS ON)	_____

Area 2

Area # Is On	(A2 AREA 2 IS ON)	_____
Area # Not Ready	(A2 NOT READY)	_____
Area # Is Off	(A2 AREA 2 IS OFF)	_____
Area # Acct Is On	(A2 ACCOUNT IS ON)	_____

Area 3

Area # Is On	(A3 AREA 3 IS ON)	_____
Area # Not Ready	(A3 NOT READY)	_____
Area # Is Off	(A3 AREA 3 IS OFF)	_____
Area # Acct Is On	(A3 ACCOUNT IS ON)	_____

Area 4

Area # Is On	(A4 AREA 4 IS ON)	_____
Area # Not Ready	(A4 NOT READY)	_____
Area # Is Off	(A4 AREA 4 IS OFF)	_____
Area # Acct Is On	(A4 ACCOUNT IS ON)	_____

Custom Functions

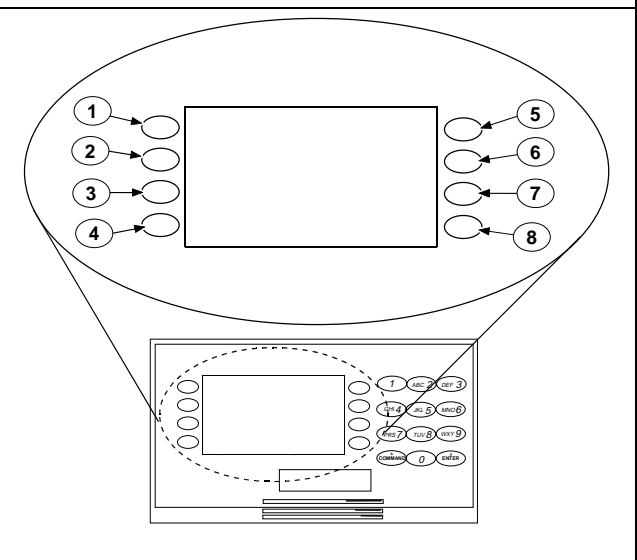
CF 128	Text	_____
	Key Strokes	_____
CF 129	Text	_____
	Key Strokes	_____
CF 130	Text	_____
	Key Strokes	_____
CF 131	Text	_____
	Key Strokes	_____

Default values are shown in () or in **bold**

GV2MAIN Handler

Default:	Up to 32 characters: 0 to 9, A, B, C, D, E	
Selection:		
Selection	D1255 Key	D1260 Key
0 to 9	0 to 9	0 to 9
A	[COMMAND]	[COMMAND]
B	[PREV] (previous)	NA
C	[ESC] (escape)	NA
D	[NEXT]	NA
E	[ENT] (enter)	[#ENTER]
C1	NA	(softkey 1)
C2	NA	(softkey 2)
C3	NA	(softkey 3)
C4	NA	(softkey 4)
C5	NA	(softkey 5)
C6	NA	(softkey 6)
C7	NA	(softkey 7)
C8	NA	(softkey 8)

Figure 1: Softkey Positions on the D1260



- 1 - Softkey 1 (C1)
- 2 - Softkey 2 (C2)
- 3 - Softkey 3 (C3)
- 4 - Softkey 4 (C4)
- 5 - Softkey 5 (C5)
- 6 - Softkey 6 (C6)
- 7 - Softkey 7 (C7)
- 8 - Softkey 8 (C8)

D1255	Function	D1260
0-9 =	0-9	= 0-9
A =	COMMAND	= A
B =	PREV	NA
C =	ESC	NA
D =	NEXT	NA
E =	ENT	= E
NA		

Single Digit Commands on D1255 and D1260

Command	Key Code	Command	Key Code
1 Master Arm Area	A19	7 Special Alert	A79
2 Perimeter Instant Arm	A29	8 Perimeter Partial Arm	A89
3 Perimeter Delay Arm	A39	9 Special Alert	A99
6 Watch Mode	A69	0 Bypass a Point	A09

Default values are shown in () or in **bold**

GV2MAIN Handler

User Interface (continued)

Keypad Functions		
#	Custom Functions	E/P*
128	Custom Function 128	P
129	Custom Function 129	P
130	Custom Function 130	P
131	Custom Function 131	P

Authority Levels [†]															
	1	2	3	4	5	6	7	8	9	10	11	12	13	14	15
E															
E															
E															
E															

* Keypad Function options: P = Passcode required, E = Enabled (no Passcode required), Blank = Disabled.

† Authority Level options: E = Enabled, Blank = Disabled.

** Custom Functions #132 and higher available with the D9412GV2 only.

■ Solid box indicates parameter is not user programmable.

#	Report Levels
■	Force Arm ?
■	Area O/C ?
■	Restricted O/C ?
■	Perimeter O/C ?
■	Send Duress ?
■	Passcode Arm ?
■	Passcode Disarm ?

Authority Levels [†]															
	1	2	3	4	5	6	7	8	9	10	11	12	13	14	15
E	E	E	E	E	E	E									
E	E	E	E	E	E	E	E	E	E	E	E	E	E	E	E
E	E	E	E	E	E	E									
E	E	E	E	E											

† Authority Level options: E = Enabled, Blank = Disabled.

■ Solid box indicates parameter is not user programmable.

GV2MAIN Handler

Default values are shown in () or in **bold**

Function List

Menu Item	Function	CC Address 1	CC Address 2	CC Address 3	CC Address 4	CC Address 5	CC Address 6	CC Address 7	CC Address 8
1	(6) _ _ _ _	Yes/No	Yes/ No	Yes/ No	Yes/ No	Yes/ No	Yes/ No	Yes/ No	Yes/ No
2	(27) _ _ _ _	Yes/ No	Yes/ No	Yes/ No	Yes/ No	Yes/ No	Yes/ No	Yes/ No	Yes/ No
3	(29) _ _ _ _	Yes/ No	Yes/ No	Yes/ No	Yes/ No	Yes/ No	Yes/ No	Yes/ No	Yes/ No
4	(11) _ _ _ _	Yes/ No	Yes/ No	Yes/ No	Yes/ No	Yes/ No	Yes/ No	Yes/ No	Yes/ No
5	(15) _ _ _ _	Yes/ No	Yes/ No	Yes/ No	Yes/ No	Yes/ No	Yes/ No	Yes/ No	Yes/ No
6	(16) _ _ _ _	Yes/ No	Yes/ No	Yes/ No	Yes/ No	Yes/ No	Yes/ No	Yes/ No	Yes/ No
7	(17) _ _ _ _	Yes/ No	Yes/ No	Yes/ No	Yes/ No	Yes/ No	Yes/ No	Yes/ No	Yes/ No
8	(18) _ _ _ _	Yes/ No	Yes/ No	Yes/ No	Yes/ No	Yes/ No	Yes/ No	Yes/ No	Yes/ No
9	(19) _ _ _ _	Yes/ No	Yes/ No	Yes/ No	Yes/ No	Yes/ No	Yes/ No	Yes/ No	Yes/ No
10	(25) _ _ _ _	Yes/ No	Yes/ No	Yes/ No	Yes/ No	Yes/ No	Yes/ No	Yes/ No	Yes/ No
11	(26) _ _ _ _	Yes/ No	Yes/ No	Yes/ No	Yes/ No	Yes/ No	Yes/ No	Yes/ No	Yes/ No
12	(9) _ _ _ _	Yes/ No	Yes/ No	Yes/ No	Yes/ No	Yes/ No	Yes/ No	Yes/ No	Yes/ No
13	(10) _ _ _ _	Yes/No	Yes/ No	Yes/ No	Yes/ No	Yes/ No	Yes/ No	Yes/ No	Yes/ No
14	(8) _ _ _ _	Yes/ No	Yes/ No	Yes/ No	Yes/ No	Yes/ No	Yes/ No	Yes/ No	Yes/ No
15	_ _ _ _	Yes/ No	Yes/ No	Yes/ No	Yes/ No	Yes/ No	Yes/ No	Yes/ No	Yes/ No
16	_ _ _ _	Yes/ No	Yes/ No	Yes/ No	Yes/ No	Yes/ No	Yes/ No	Yes/ No	Yes/ No
17	_ _ _ _	Yes/ No	Yes/ No	Yes/ No	Yes/ No	Yes/ No	Yes/ No	Yes/ No	Yes/ No
18	_ _ _ _	Yes/ No	Yes/ No	Yes/ No	Yes/ No	Yes/ No	Yes/ No	Yes/ No	Yes/ No
19	_ _ _ _	Yes/ No	Yes/ No	Yes/ No	Yes/ No	Yes/ No	Yes/ No	Yes/ No	Yes/ No
20	_ _ _ _	Yes/ No	Yes/ No	Yes/ No	Yes/ No	Yes/ No	Yes/ No	Yes/ No	Yes/ No
21	_ _ _ _	Yes/ No	Yes/ No	Yes/ No	Yes/ No	Yes/ No	Yes/ No	Yes/ No	Yes/ No
22	_ _ _ _	Yes/ No	Yes/ No	Yes/ No	Yes/ No	Yes/ No	Yes/ No	Yes/ No	Yes/ No
23	_ _ _ _	Yes/ No	Yes/ No	Yes/ No	Yes/ No	Yes/ No	Yes/ No	Yes/ No	Yes/ No
24	_ _ _ _	Yes/ No	Yes/ No	Yes/ No	Yes/ No	Yes/ No	Yes/ No	Yes/ No	Yes/ No
25	_ _ _ _	Yes/ No	Yes/ No	Yes/ No	Yes/ No	Yes/ No	Yes/ No	Yes/ No	Yes/ No
26	_ _ _ _	Yes/ No	Yes/ No	Yes/ No	Yes/ No	Yes/ No	Yes/ No	Yes/ No	Yes/ No
27	_ _ _ _	Yes/ No	Yes/ No	Yes/ No	Yes/ No	Yes/ No	Yes/ No	Yes/ No	Yes/ No
28	_ _ _ _	Yes/ No	Yes/ No	Yes/ No	Yes/ No	Yes/ No	Yes/ No	Yes/ No	Yes/ No
29	_ _ _ _	Yes/ No	Yes/ No	Yes/ No	Yes/ No	Yes/ No	Yes/ No	Yes/ No	Yes/ No
30	_ _ _ _	Yes/ No	Yes/ No	Yes/ No	Yes/ No	Yes/ No	Yes/ No	Yes/ No	Yes/ No
31	_ _ _ _	Yes/ No	Yes/ No	Yes/ No	Yes/ No	Yes/ No	Yes/ No	Yes/ No	Yes/ No
32	_ _ _ _	Yes/ No	Yes/ No	Yes/ No	Yes/ No	Yes/ No	Yes/ No	Yes/ No	Yes/ No

Default values are shown in () or in **bold**

GV2MAIN Handler

Relay Parameters

Area Relays

	AREA			
	1	2	3	4
Alarm Bell*	A	A	A	A
Fire Bell*	A	A	A	A
Reset Sensors*	C	C	C	C
Fail To Close				
Force Armed				
Watch Mode*				
Area Armed*				
Area Fault				
Duress Relay*				
Perim Fault				
Silent Alarm				

Panel Wide Relays

AC Failure	_____
Battery Trouble	_____
Phone Fail	_____
Comm Fail	_____
Log % Full	_____
Summary Fire	_____
Summary Alarm	_____
Summary Fire Trouble	_____
Summary Supv Fire	_____
Summary Trouble	_____
Summary Supv Burg	_____

*The same relay can be shared between areas and functions.

Use a different relay for each area and/or function unless indicated by an asterisk (*).

Relay #, Description
A
B
C
1
2
3
4
5
6
7
8
9
10
11
12
13
14
15
16
17
18
19
20
21
22
23
24

Refer to D7212GV2 Program Entry Guide (P/N: F01U003804) for additional Silent Alarm Relay functions.

RADXUSR1 Handler

Default values are shown in () or in **bold**

User (Passcode) Worksheet (Users 000 to 029)

User ###	Passcode	User Group	Area Authority								User Name
			1	2	3	4	5	6	7	8	
000	123 _____	_____	15	15	15	15	15	15	15	15	SERVICE PASSCODE
001	123456 _____	_____	1								USER 1
002	_____	_____									USER 2
003	_____	_____									USER 3
004	_____	_____									USER 4
005	_____	_____									USER 5
006	_____	_____									USER 6
007	_____	_____									USER 7
008	_____	_____									USER 8
009	_____	_____									USER 9
010	_____	_____									USER 10
011	_____	_____									USER 11
012	_____	_____									USER 12
013	_____	_____									USER 13
014	_____	_____									USER 14
015	_____	_____									USER 15
016	_____	_____									USER 16
017	_____	_____									USER 17
018	_____	_____									USER 18
019	_____	_____									USER 19
020	_____	_____									USER 20
021	_____	_____									USER 21
022	_____	_____									USER 22
023	_____	_____									USER 23
024	_____	_____									USER 24
025	_____	_____									USER 25
026	_____	_____									USER 26
027	_____	_____									USER 27
028	_____	_____									USER 28
029	_____	_____									USER 29

 Solid box indicates parameter is not user programmable.

RADXPNTS Handler

Default values are shown in () or in **bold**

Point Index

		Point Index Description							
Point Index Description Defaults:									
1 24-Hour Instant Audible Alarm on Open or Short									
2 Invisible/Silent Hold Up on Short									
3 Fire Pull Station Alarm on Short									
4 Smoke Detector with Reset Alarm on Short									
5 Smoke Detector with Verification Reset and Alarm on Short									
6 Bell Supervision Trouble on Open or Short									
7 Perimeter Instant Alarm on Open or Short, Watch Point When Disarmed									
8 Perimeter Delay on Short, Instant Arm on Short, Watch Point when Disarmed									
Prompt	Point Index #	1	2	3	4	5	6	7	8
Type		(0) ____	(0) ____	(0) ____	(0) ____	(0) ____	(0) ____	(1) ____	(1) ____
Point Response		(0) ____	(1) ____	(1) ____	(1) ____	(1) ____	(3) ____	(1) ____	(7) ____
Entry Delay		(5) ____	(5) ____	(5) ____	(5) ____	(5) ____	(5) ____	(5) ____	(30) ____
Entry Tone Off		Y/N	Y/N	Y/N	Y/N	Y/N	Y/N	Y/N	Y/N
Silent Bell		Y/N	Y/N	Y/N	Y/N	Y/N	Y/N	Y/N	Y/N
Ring Until Restored		Y/N	Y/N	Y/N	Y/N	Y/N	Y/N	Y/N	Y/N
Audible After Two Fails		Y/N	Y/N	Y/N	Y/N	Y/N	Y/N	Y/N	Y/N
Invisible Point		Y/N	Y/N	Y/N	Y/N	Y/N	Y/N	Y/N	Y/N
Buzz on Fault		_____	_____	_____	_____	_____	(1) ____	_____	_____
Watch Point		Y/N	Y/N	Y/N	Y/N	Y/N	Y/N	Y/N	Y/N
Relay Response Type		_____	_____	_____	_____	_____	_____	_____	_____
Display as Device		Y/N	Y/N	Y/N	Y/N	Y/N	Y/N	Y/N	Y/N
Local While Disarmed		Y/N	Y/N	Y/N	Y/N	Y/N	Y/N	Y/N	Y/N
Local While Armed		Y/N	Y/N	Y/N	Y/N	Y/N	Y/N	Y/N	Y/N
Disable Restorals		Y/N	Y/N	Y/N	Y/N	Y/N	Y/N	Y/N	Y/N
FA Returnable		Y/N	Y/N	Y/N	Y/N	Y/N	Y/N	Y/N	Y/N
Bypass Returnable		Y/N	Y/N	Y/N	Y/N	Y/N	Y/N	Y/N	Y/N
Bypassable		Y/N	Y/N	Y/N	Y/N	Y/N	Y/N	Y/N	Y/N
Swinger Bypass		Y/N	Y/N	Y/N	Y/N	Y/N	Y/N	Y/N	Y/N
Report Bypass at Occurrence		Y/N	Y/N	Y/N	Y/N	Y/N	Y/N	Y/N	Y/N
Defer Bypass Report		Y/N	Y/N	Y/N	Y/N	Y/N	Y/N	Y/N	Y/N
Cross Point		Y/N	Y/N	Y/N	Y/N	Y/N	Y/N	Y/N	Y/N
Fire Point		Y/N	Y/N	Y/N	Y/N	Y/N	Y/N	Y/N	Y/N
Alarm Verify		Y/N	Y/N	Y/N	Y/N	Y/N	Y/N	Y/N	Y/N
Resettable		Y/N	Y/N	Y/N	Y/N	Y/N	Y/N	Y/N	Y/N

Point Type Selections			
0	24-Hour	6	O/C Point
1	Perimeter	7	D279 (O/C Non-Priority)
2	Interior	8	D279 (O/C Priority)
3	Interior Follower	9	Easikey
4	Keyswitch Maintained		
5	Keyswitch Momentary		

Point Response Selections*		0	1	2	3	4	5	6	7	8	9	A	B	C		
Armed	Open	I	I	I	I	D	D	I	I	D	I	I	I	I	I	T
	Short	I	I	I	I	I	I	D	D	D	I	I	I	I	I	I
Disarmed	Open		T		T				T		I	I	T	I		T
	Short			T	T		T				I	T	I		I	
24-Hour	Open	I	T	I	T			I	T	S	T	S		S		Not
	Short	I	I	T	T	I	T			T	S		S	S		Applicable

*Selections: D = Delayed Response, I = Instant Alarm, S = Supervisory, T = Trouble, Blank = No Response

Default values are shown in () or in **bold**

RADXPNTS Handler

Point Index (continued)

		Point Index Description							
Prompt	Point Index #	9	10	11	12	13	14	15	16
Point Index Description Defaults:									
9 Perimeter Instant Alarm on Open or Short, Local while Disarmed									
10 Interior Instant Alarm on Open or Short									
11 Interior Delay on Short, Alarm on Open									
12 Interior Instant Alarm on Open or Short, Local While Disarmed									
13 Interior Follower Delay on Short, Alarm on Open									
14 Maintained Keyswitch									
15 Momentary Keyswitch									
16 Open/Close on Fault									
Type		(1) ____	(2) ____	(2) ____	(2) ____	(3) ____	(4) ____	(5) ____	(6) ____
Point Response		(B) ____	(1) ____	(7) ____	(B) ____	(7) ____	(1) ____	(1) ____	(1) ____
Entry Delay		(5) ____	(5) ____	(30) ____	(5) ____	(30) ____	(5) ____	(5) ____	(5) ____
Entry Tone Off		Y/N	Y/N	Y/N	Y/N	Y/N	Y/N	Y/N	Y/N
Silent Bell		Y/N	Y/N	Y/N	Y/N	Y/N	Y/N	Y/N	Y/N
Ring Until Restored		Y/N	Y/N	Y/N	Y/N	Y/N	Y/N	Y/N	Y/N
Audible After Two Fails		Y/N	Y/N	Y/N	Y/N	Y/N	Y/N	Y/N	Y/N
Invisible Point		Y/N	Y/N	Y/N	Y/N	Y/N	Y/N	Y/N	Y/N
Buzz on Fault		(1) ____	____	____	____	____	____	____	____
Watch Point		Y/N	Y/N	Y/N	Y/N	Y/N	Y/N	Y/N	Y/N
Relay Response Type		____	____	____	____	____	____	____	____
Display as Device		Y/N	Y/N	Y/N	Y/N	Y/N	Y/N	Y/N	Y/N
Local While Disarmed		Y/N	Y/N	Y/N	Y/N	Y/N	Y/N	Y/N	Y/N
Local While Armed		Y/N	Y/N	Y/N	Y/N	Y/N	Y/N	Y/N	Y/N
Disable Restorals		Y/N	Y/N	Y/N	Y/N	Y/N	Y/N	Y/N	Y/N
FA Returnable		Y/N	Y/N	Y/N	Y/N	Y/N	Y/N	Y/N	Y/N
Bypass Returnable		Y/N	Y/N	Y/N	Y/N	Y/N	Y/N	Y/N	Y/N
Bypassable		Y/N	Y/N	Y/N	Y/N	Y/N	Y/N	Y/N	Y/N
Swinger Bypass		Y/N	Y/N	Y/N	Y/N	Y/N	Y/N	Y/N	Y/N
Report Bypass at Occurrence		Y/N	Y/N	Y/N	Y/N	Y/N	Y/N	Y/N	Y/N
Defer Bypass Report		Y/N	Y/N	Y/N	Y/N	Y/N	Y/N	Y/N	Y/N
Cross Point		Y/N	Y/N	Y/N	Y/N	Y/N	Y/N	Y/N	Y/N
Fire Point		Y/N	Y/N	Y/N	Y/N	Y/N	Y/N	Y/N	Y/N
Alarm Verify		Y/N	Y/N	Y/N	Y/N	Y/N	Y/N	Y/N	Y/N
Resettable		Y/N	Y/N	Y/N	Y/N	Y/N	Y/N	Y/N	Y/N

Point Type Selections			
0	24-Hour	6	O/C Point
1	Perimeter	7	D279 (O/C Non-Priority)
2	Interior	8	D279 (O/C Priority)
3	Interior Follower	9	Easikey
4	Keyswitch Maintained		
5	Keyswitch Momentary		

Point Response Selections*		0	1	2	3	4	5	6	7	8	9	A	B	C		
Armed	Open	I	I	I	I	D	D	I	I	D	I	I	I	I	I	T
	Short	I	I	I	I	I	I	D	D	D	I	I	I	I	I	I
Disarmed	Open		T		T				T		I	I	T	I		T
	Short			T	T		T				I	T	I		I	
24-Hour	Open	I	T	I	T			I	T	S	T	S		S		Not Applicable
	Short	I	I	T	T	I	T			T	S		S	S		Not Applicable

*Selections: D = Delayed Response, I = Instant Alarm, S = Supervisory, T = Trouble, Blank = No Response

RADXPNTS Handler

Default values are shown in () or in **bold**

Point Index (continued)

		Point Index Description							
Point Index Description Defaults:									
17 D279 (Non-Priority)									
18 D279 (Priority)									
19 Easikey Input									
20 POPIT Motion Sensor Interior									
21 POPIT Motion Sensor Perimeter									
22 Fire Supervisory on Open, Trouble on Short									
23 Non-Fire Supervisory on Open, Trouble on Short									
24 Local, No Visual or Audible Display on Any Fault Armed or Disarmed with Relay Output									
Prompt	Point Index #	17	18	19	20	21	22	23	24
Type		(7) ____	(8) ____	(9) ____	(2) ____	(1) ____	(0) ____	(0) ____	(1) ____
Point Response		(1) ____	(2) ____	(1) ____	(E) ____	(E) ____	(8) ____	(8) ____	(F) ____
Entry Delay		(5) ____	(5) ____	(5) ____	(5) ____	(5) ____	(5) ____	(5) ____	(5) ____
Entry Tone Off		Y/N	Y/N	Y/N	Y/N	Y/N	Y/N	Y/N	Y/N
Silent Bell		Y/N	Y/N	Y/N	Y/N	Y/N	Y/N	Y/N	Y/N
Ring Until Restored		Y/N	Y/N	Y/N	Y/N	Y/N	Y/N	Y/N	Y/N
Audible After Two Fails		Y/N	Y/N	Y/N	Y/N	Y/N	Y/N	Y/N	Y/N
Invisible Point		Y/N	Y/N	Y/N	Y/N	Y/N	Y/N	Y/N	Y/N
Buzz on Fault		_____	_____	_____	_____	_____	_____	_____	_____
Watch Point		Y/N	Y/N	Y/N	Y/N	Y/N	Y/N	Y/N	Y/N
Relay Response Type		_____	_____	_____	_____	_____	_____	_____	(1) ____
Display as Device		Y/N	Y/N	Y/N	Y/N	Y/N	Y/N	Y/N	Y/N
Local While Disarmed		Y/N	Y/N	Y/N	Y/N	Y/N	Y/N	Y/N	Y/N
Local While Armed		Y/N	Y/N	Y/N	Y/N	Y/N	Y/N	Y/N	Y/N
Disable Restorals		Y/N	Y/N	Y/N	Y/N	Y/N	Y/N	Y/N	Y/N
FA Returnable		Y/N	Y/N	Y/N	Y/N	Y/N	Y/N	Y/N	Y/N
Bypass Returnable		Y/N	Y/N	Y/N	Y/N	Y/N	Y/N	Y/N	Y/N
Bypassable		Y/N	Y/N	Y/N	Y/N	Y/N	Y/N	Y/N	Y/N
Swinger Bypass		Y/N	Y/N	Y/N	Y/N	Y/N	Y/N	Y/N	Y/N
Report Bypass at Occurrence		Y/N	Y/N	Y/N	Y/N	Y/N	Y/N	Y/N	Y/N
Defer Bypass Report		Y/N	Y/N	Y/N	Y/N	Y/N	Y/N	Y/N	Y/N
Cross Point		Y/N	Y/N	Y/N	Y/N	Y/N	Y/N	Y/N	Y/N
Fire Point		Y/N	Y/N	Y/N	Y/N	Y/N	Y/N	Y/N	Y/N
Alarm Verify		Y/N	Y/N	Y/N	Y/N	Y/N	Y/N	Y/N	Y/N
Resettable		Y/N	Y/N	Y/N	Y/N	Y/N	Y/N	Y/N	Y/N

Point Type Selections			
0	24-Hour	6	O/C Point
1	Perimeter	7	D279 (O/C Non-Priority)
2	Interior	8	D279 (O/C Priority)
3	Interior Follower	9	Easikey
4	Keyswitch Maintained		
5	Keyswitch Momentary		

Point Response Selections*		0	1	2	3	4	5	6	7	8	9	A	B	C		
Armed	Open	I	I	I	I	D	D	I	I	D	I	I	I	I	I	T
	Short	I	I	I	I	I	I	D	D	D	I	I	I	I	I	I
Disarmed	Open		T		T				T		I	I	T	I		T
	Short			T	T		T				I	T	I		I	
24-Hour	Open	I	T	I	T			I	T	S	T	S		S		Not
	Short	I	I	T	T	I	T			T	S		S	S		Applicable

*Selections: D = Delayed Response, I = Instant Alarm, S = Supervisory, T = Trouble, Blank = No Response

Default values are shown in () or in **bold**

RADXPNTS Handler

Point Index (continued)

		Point Index Description						
Prompt	Point Index #	25	26	27	28	29	30	31
Point Index Description Defaults:								
25	Perimeter Delay on Open, Alarm on Short							
26	24-Hour Instant Audible Alarm on Open or Short							
27	24-Hour Instant Audible Alarm on Open or Short							
28	24-Hour Instant Audible Alarm on Open or Short							
29	24-Hour Instant Audible Alarm on Open or Short							
30	24-Hour Instant Audible Alarm on Open or Short							
31	24-Hour Instant Audible Alarm on Open or Short							
Type		(1) ____	(0) ____	(0) ____	(0) ____	(0) ____	(0) ____	(0) ____
Point Response		(4) ____	(0) ____	(0) ____	(0) ____	(0) ____	(0) ____	(0) ____
Entry Delay		(30) ____	(5) ____	(5) ____	(5) ____	(5) ____	(5) ____	(5) ____
Entry Tone Off		Y/N	Y/N	Y/N	Y/N	Y/N	Y/N	Y/N
Silent Bell		Y/N	Y/N	Y/N	Y/N	Y/N	Y/N	Y/N
Ring Until Restored		Y/N	Y/N	Y/N	Y/N	Y/N	Y/N	Y/N
Audible After Two Fails		Y/N	Y/N	Y/N	Y/N	Y/N	Y/N	Y/N
Invisible Point		Y/N	Y/N	Y/N	Y/N	Y/N	Y/N	Y/N
Buzz on Fault		_____	_____	_____	_____	_____	_____	_____
Watch Point		Y/N	Y/N	Y/N	Y/N	Y/N	Y/N	Y/N
Relay Response Type		_____	_____	_____	_____	_____	_____	_____
Display as Device		Y/N	Y/N	Y/N	Y/N	Y/N	Y/N	Y/N
Local While Disarmed		Y/N	Y/N	Y/N	Y/N	Y/N	Y/N	Y/N
Local While Armed		Y/N	Y/N	Y/N	Y/N	Y/N	Y/N	Y/N
Disable Restorals		Y/N	Y/N	Y/N	Y/N	Y/N	Y/N	Y/N
FA Returnable		Y/N	Y/N	Y/N	Y/N	Y/N	Y/N	Y/N
Bypass Returnable		Y/N	Y/N	Y/N	Y/N	Y/N	Y/N	Y/N
Bypassable		Y/N	Y/N	Y/N	Y/N	Y/N	Y/N	Y/N
Swinger Bypass		Y/N	Y/N	Y/N	Y/N	Y/N	Y/N	Y/N
Report Bypass at Occurrence		Y/N	Y/N	Y/N	Y/N	Y/N	Y/N	Y/N
Defer Bypass Report		Y/N	Y/N	Y/N	Y/N	Y/N	Y/N	Y/N
Cross Point		Y/N	Y/N	Y/N	Y/N	Y/N	Y/N	Y/N
Fire Point		Y/N	Y/N	Y/N	Y/N	Y/N	Y/N	Y/N
Alarm Verify		Y/N	Y/N	Y/N	Y/N	Y/N	Y/N	Y/N
Resettable		Y/N	Y/N	Y/N	Y/N	Y/N	Y/N	Y/N

Point Type Selections			
0	24-Hour	6	O/C Point
1	Perimeter	7	D279 (O/C Non-Priority)
2	Interior	8	D279 (O/C Priority)
3	Interior Follower	9	Easikey
4	Keyswitch Maintained		
5	Keyswitch Momentary		

Point Response Selections*		0	1	2	3	4	5	6	7	8	9	A	B	C		
Armed	Open	I	I	I	I	D	D	I	I	D	I	I	I	I	I	T
	Short	I	I	I	I	I	I	D	D	D	I	I	I	I	I	I
Disarmed	Open		T		T			T			I	I	T	I		T
	Short			T	T		T				I	T	I		I	
24-Hour	Open	I	T	I	T			I	T	S	T	S		S		Not
	Short	I	I	T	T	I	T			T	S		S	S		Applicable

*Selections: D = Delayed Response, I = Instant Alarm, S = Supervisory, T = Trouble, Blank = No Response

RADXPNTS Handler

Default values are shown in () or in **bold**

Point Assignments (001 through 040)

POPIT Switch Setting	Trans-lation	Point #	Point Index	Area Assign	Debounce	BFSK/Relay	Custom Point Text
	100	001	(3) _ _	(1) _ _	(2) _ _ _	(1) _ _	P1 FIRE
	200	002	(1) _ _	(1) _ _	(2) _ _ _	(2) _ _	P2 PANIC
	300	003	(25) _ _	(1) _ _	(2) _ _ _	(3) _ _	P3 DELAY
	400	004	(13) _ _	(1) _ _	(2) _ _ _	(4) _ _	P4 FOLLOW
	500	005	(7) _ _	(1) _ _	(2) _ _ _	(5) _ _	P5 INSTANT
	600	006	(7) _ _	(1) _ _	(2) _ _ _	(6) _ _	P6 INSTANT
	700	007	(7) _ _	(1) _ _	(2) _ _ _	(7) _ _	P7 INSTANT
	800	008	(7) _ _	(1) _ _	(2) _ _ _	(8) _ _	P8 INSTANT
0 1 2 3 4 5 6	101	009	_ _ _	(1) _ _	(2) _ _ _	(1) _ _	P9
0 1 2 3 4 5 _	102	010	_ _ _	(1) _ _	(2) _ _ _	(1) _ _	P10
0 1 2 3 4 _ 6	103	011	_ _ _	(1) _ _	(2) _ _ _	(1) _ _	P11
0 1 2 3 4 _ _	104	012	_ _ _	(1) _ _	(2) _ _ _	(1) _ _	P12
0 1 2 3 _ 5 6	105	013	_ _ _	(1) _ _	(2) _ _ _	(1) _ _	P13
0 1 2 3 _ 5 _	106	014	_ _ _	(1) _ _	(2) _ _ _	(1) _ _	P14
0 1 2 3 _ _ 6	107	015	_ _ _	(1) _ _	(2) _ _ _	(1) _ _	P15
0 1 2 3 _ _ _	108	016	_ _ _	(1) _ _	(2) _ _ _	(1) _ _	P16
0 1 2 _ 4 5 6	109	017	_ _ _	(1) _ _	(2) _ _ _	(1) _ _	P17
0 1 2 _ 4 5 _	110	018	_ _ _	(1) _ _	(2) _ _ _	(1) _ _	P18
0 1 2 _ 4 _ 6	111	019	_ _ _	(1) _ _	(2) _ _ _	(1) _ _	P19
0 1 2 _ 4 _ _	112	020	_ _ _	(1) _ _	(2) _ _ _	(1) _ _	P20
0 1 2 _ _ 5 6	113	021	_ _ _	(1) _ _	(2) _ _ _	(1) _ _	P21
0 1 2 _ _ 5 _	114	022	_ _ _	(1) _ _	(2) _ _ _	(1) _ _	P22
0 1 2 _ _ _ 6	115	023	_ _ _	(1) _ _	(2) _ _ _	(1) _ _	P23
0 1 2 _ _ _ _	116	024	_ _ _	(1) _ _	(2) _ _ _	(1) _ _	P24
0 1 _ 3 4 5 6	201	025	_ _ _	(1) _ _	(2) _ _ _	(1) _ _	P25
0 1 _ 3 4 5 _	202	026	_ _ _	(1) _ _	(2) _ _ _	(1) _ _	P26
0 1 _ 3 4 _ 6	203	027	_ _ _	(1) _ _	(2) _ _ _	(1) _ _	P27
0 1 _ 3 4 _ _	204	028	_ _ _	(1) _ _	(2) _ _ _	(1) _ _	P28
0 1 _ 3 _ 5 6	205	029	_ _ _	(1) _ _	(2) _ _ _	(1) _ _	P29
0 1 _ 3 _ 5 _	206	030	_ _ _	(1) _ _	(2) _ _ _	(1) _ _	P30
0 1 _ 3 _ _ 6	207	031	_ _ _	(1) _ _	(2) _ _ _	(1) _ _	P31
0 1 _ 3 _ _ _	208	032	_ _ _	(1) _ _	(2) _ _ _	(1) _ _	P32
0 1 _ _ 4 5 6	209	033	_ _ _	(1) _ _	(2) _ _ _	(1) _ _	P33
0 1 _ _ 4 5 _	210	034	_ _ _	(1) _ _	(2) _ _ _	(1) _ _	P34
0 1 _ _ 4 _ 6	211	035	_ _ _	(1) _ _	(2) _ _ _	(1) _ _	P35
0 1 _ _ 4 _ _	212	036	_ _ _	(1) _ _	(2) _ _ _	(1) _ _	P36
0 1 _ _ _ 5 6	213	037	_ _ _	(1) _ _	(2) _ _ _	(1) _ _	P37
0 1 _ _ _ 5 _	214	038	_ _ _	(1) _ _	(2) _ _ _	(1) _ _	P38
0 1 _ _ _ _ 6	215	039	_ _ _	(1) _ _	(2) _ _ _	(1) _ _	P39
0 1 _ _ _ _ _	216	040	_ _ _	(1) _ _	(2) _ _ _	(1) _ _	P40

Default values are shown in () or in **bold****RADXPNTS Handler****Point Assignments (240 through 243)**

POPIIT Switch Setting	Trans-lation	Point #	Point Index	Area Assign	Debounce	BFSK/Relay	Custom Point Text
2	724	240*	---	(1) ---	(2) ---	(1) ---	P240 _____
3 4 5 6	725	241*	---	(1) ---	(2) ---	(1) ---	P241 _____
3 4 5	726	242*	---	(1) ---	(2) ---	(1) ---	P242 _____
3 4 6	727	243*	---	(1) ---	(2) ---	(1) ---	P243 _____

* The Point Text for Points 240 to 243 can be used for the Area Name Text when a D1260 Alpha V Command Center (Keypad) is used. Point 240 Text is used as Area Name Text for Area 1, Point 241 Text is used as Area Name Text for Area 2, and Point 247 Text is used as Area Name Text for Area 4.

CMD 7 and CMD 9

Command	Point Index	BFSK/Relay	Point Text
COMMAND 7	(31) _____	(1) _____	COMMAND 7 _____
COMMAND 9	(31) _____	(1) _____	COMMAND 9 _____

RADXSKEDE Handler

Default values are shown in () or in **bold**

Windows

Opening and Closing

Day of Week	Window (W)							
	W# 1	W# 2	W# 3	W# 4	W# 5	W# 6	W# 7	W# 8
Sunday	Yes/No	Yes/No	Yes/No	Yes/No	Yes/No	Yes/No	Yes/No	Yes/No
Monday	Yes/No	Yes/No	Yes/No	Yes/No	Yes/No	Yes/No	Yes/No	Yes/No
Tuesday	Yes/No	Yes/No	Yes/No	Yes/No	Yes/No	Yes/No	Yes/No	Yes/No
Wednesday	Yes/No	Yes/No	Yes/No	Yes/No	Yes/No	Yes/No	Yes/No	Yes/No
Thursday	Yes/No	Yes/No	Yes/No	Yes/No	Yes/No	Yes/No	Yes/No	Yes/No
Friday	Yes/No	Yes/No	Yes/No	Yes/No	Yes/No	Yes/No	Yes/No	Yes/No
Saturday	Yes/No	Yes/No	Yes/No	Yes/No	Yes/No	Yes/No	Yes/No	Yes/No
Open								
Early Begin	__:__	__:__	__:__	__:__	__:__	__:__	__:__	__:__
Window Start	__:__	__:__	__:__	__:__	__:__	__:__	__:__	__:__
Window Stop	__:__	__:__	__:__	__:__	__:__	__:__	__:__	__:__
Close								
Early Begin	__:__	__:__	__:__	__:__	__:__	__:__	__:__	__:__
Window Start	__:__	__:__	__:__	__:__	__:__	__:__	__:__	__:__
Window Stop	__:__	__:__	__:__	__:__	__:__	__:__	__:__	__:__
Holidays								
Xept Holiday	Yes/No	Yes/No	Yes/No	Yes/No	Yes/No	Yes/No	Yes/No	Yes/No
Holiday 1	Yes/No	Yes/No	Yes/No	Yes/No	Yes/No	Yes/No	Yes/No	Yes/No
Holiday 2	Yes/No	Yes/No	Yes/No	Yes/No	Yes/No	Yes/No	Yes/No	Yes/No
Holiday 3	Yes/No	Yes/No	Yes/No	Yes/No	Yes/No	Yes/No	Yes/No	Yes/No
Holiday 4	Yes/No	Yes/No	Yes/No	Yes/No	Yes/No	Yes/No	Yes/No	Yes/No
Areas								
Area 1	Yes/No	Yes/No	Yes/No	Yes/No	Yes/No	Yes/No	Yes/No	Yes/No
Area 2	Yes/No	Yes/No	Yes/No	Yes/No	Yes/No	Yes/No	Yes/No	Yes/No
Area 3	Yes/No	Yes/No	Yes/No	Yes/No	Yes/No	Yes/No	Yes/No	Yes/No
Area 4	Yes/No	Yes/No	Yes/No	Yes/No	Yes/No	Yes/No	Yes/No	Yes/No

Use this table to determine the appropriate entries for your application.

Open/Close Window Activation	Day of Week	Xept Holiday	Holiday Index	Area(s)
Day(s) of the week	Program at least one Day as YES	No	None	Program at least one Area as YES
Days(s) of the Week, but NOT on Holidays	Program at least one Day as YES	Yes	Select at least one Index	Program at least one Area as YES
Day(s) of the Week, PLUS Holidays	Program at least one Day as YES	No	Select at least one Index	Program at least one Area as YES
Only on Holidays	All Days must be programmed NO	No	Select at least one Index	Program at least one Area as YES

Default values are shown in () or in **bold****RADXSKE**D Handler**Windows (continued)****User Group**

	User Window (UW)							
	UW#1	UW#2	UW#3	UW#4	UW#5	UW#6	UW#7	UW#8
User Group	____ (1)	____ (1)	____ (1)	____ (1)	____ (1)	____ (1)	____ (1)	____ (1)
Day of Week								
Sunday	Yes/ No	Yes/ No	Yes/ No	Yes/ No	Yes/ No	Yes/ No	Yes/ No	Yes/ No
Monday	Yes/ No	Yes/ No	Yes/ No	Yes/ No	Yes/ No	Yes/ No	Yes/ No	Yes/ No
Tuesday	Yes/ No	Yes/ No	Yes/ No	Yes/ No	Yes/ No	Yes/ No	Yes/ No	Yes/ No
Wednesday	Yes/ No	Yes/ No	Yes/ No	Yes/ No	Yes/ No	Yes/ No	Yes/ No	Yes/ No
Thursday	Yes/ No	Yes/ No	Yes/ No	Yes/ No	Yes/ No	Yes/ No	Yes/ No	Yes/ No
Friday	Yes/ No	Yes/ No	Yes/ No	Yes/ No	Yes/ No	Yes/ No	Yes/ No	Yes/ No
Saturday	Yes/ No	Yes/ No	Yes/ No	Yes/ No	Yes/ No	Yes/ No	Yes/ No	Yes/ No
Group								
Enable Time	__:__	__:__	__:__	__:__	__:__	__:__	__:__	__:__
Disable Time	__:__	__:__	__:__	__:__	__:__	__:__	__:__	__:__
Holidays								
Xept Holiday	Yes/ No	Yes/ No	Yes/ No	Yes/ No	Yes/ No	Yes/ No	Yes/ No	Yes/ No
Holiday 1	Yes/ No	Yes/ No	Yes/ No	Yes/ No	Yes/ No	Yes/ No	Yes/ No	Yes/ No
Holiday 2	Yes/ No	Yes/ No	Yes/ No	Yes/ No	Yes/ No	Yes/ No	Yes/ No	Yes/ No
Holiday 3	Yes/ No	Yes/ No	Yes/ No	Yes/ No	Yes/ No	Yes/ No	Yes/ No	Yes/ No
Holiday 4	Yes/ No	Yes/ No	Yes/ No	Yes/ No	Yes/ No	Yes/ No	Yes/ No	Yes/ No

RADXSKEDE HandlerDefault values are shown in () or in **bold****Skeds****Skeds 1 to 10**

	Sked 1	Sked 2	Sked 3	Sked 4	Sked 5	Sked 6	Sked 7	Sked 8	Sked 9	Sked 10
Time Edit	Yes/No	Yes/No	Yes/No	Yes/No	Yes/No	Yes/No	Yes/No	Yes/No	Yes/No	Yes/No
Function Code	___	___	___	___	___	___	___	___	___	___
Parameter 1	_____	_____	_____	_____	_____	_____	_____	_____	_____	_____
Parameter 2	_____	_____	_____	_____	_____	_____	_____	_____	_____	_____
Time	__:__	__:__	__:__	__:__	__:__	__:__	__:__	__:__	__:__	__:__
Date	--/--	--/--	--/--	--/--	--/--	--/--	--/--	--/--	--/--	--/--
Day of Week										
Sunday	Yes/No	Yes/No	Yes/No	Yes/No	Yes/No	Yes/No	Yes/No	Yes/No	Yes/No	Yes/No
Monday	Yes/No	Yes/No	Yes/No	Yes/No	Yes/No	Yes/No	Yes/No	Yes/No	Yes/No	Yes/No
Tuesday	Yes/No	Yes/No	Yes/No	Yes/No	Yes/No	Yes/No	Yes/No	Yes/No	Yes/No	Yes/No
Wednesday	Yes/No	Yes/No	Yes/No	Yes/No	Yes/No	Yes/No	Yes/No	Yes/No	Yes/No	Yes/No
Thursday	Yes/No	Yes/No	Yes/No	Yes/No	Yes/No	Yes/No	Yes/No	Yes/No	Yes/No	Yes/No
Friday	Yes/No	Yes/No	Yes/No	Yes/No	Yes/No	Yes/No	Yes/No	Yes/No	Yes/No	Yes/No
Saturday	Yes/No	Yes/No	Yes/No	Yes/No	Yes/No	Yes/No	Yes/No	Yes/No	Yes/No	Yes/No
Holidays										
Xept Holiday	Yes/No	Yes/No	Yes/No	Yes/No	Yes/No	Yes/No	Yes/No	Yes/No	Yes/No	Yes/No
Holiday 1	Yes/No	Yes/No	Yes/No	Yes/No	Yes/No	Yes/No	Yes/No	Yes/No	Yes/No	Yes/No
Holiday 2	Yes/No	Yes/No	Yes/No	Yes/No	Yes/No	Yes/No	Yes/No	Yes/No	Yes/No	Yes/No
Holiday 3	Yes/No	Yes/No	Yes/No	Yes/No	Yes/No	Yes/No	Yes/No	Yes/No	Yes/No	Yes/No
Holiday 4	Yes/No	Yes/No	Yes/No	Yes/No	Yes/No	Yes/No	Yes/No	Yes/No	Yes/No	Yes/No

Skeds 11 to 20

	Sked 11	Sked 12	Sked 13	Sked 14	Sked 15	Sked 16	Sked 17	Sked 18	Sked 19	Sked 20
Time Edit	Yes/No	Yes/No	Yes/No	Yes/No	Yes/No	Yes/No	Yes/No	Yes/No	Yes/No	Yes/No
Function Code	___	___	___	___	___	___	___	___	___	___
Parameter 1	_____	_____	_____	_____	_____	_____	_____	_____	_____	_____
Parameter 2	_____	_____	_____	_____	_____	_____	_____	_____	_____	_____
Time	__:__	__:__	__:__	__:__	__:__	__:__	__:__	__:__	__:__	__:__
Date	--/--	--/--	--/--	--/--	--/--	--/--	--/--	--/--	--/--	--/--
Day of Week										
Sunday	Yes/No	Yes/No	Yes/No	Yes/No	Yes/No	Yes/No	Yes/No	Yes/No	Yes/No	Yes/No
Monday	Yes/No	Yes/No	Yes/No	Yes/No	Yes/No	Yes/No	Yes/No	Yes/No	Yes/No	Yes/No
Tuesday	Yes/No	Yes/No	Yes/No	Yes/No	Yes/No	Yes/No	Yes/No	Yes/No	Yes/No	Yes/No
Wednesday	Yes/No	Yes/No	Yes/No	Yes/No	Yes/No	Yes/No	Yes/No	Yes/No	Yes/No	Yes/No
Thursday	Yes/No	Yes/No	Yes/No	Yes/No	Yes/No	Yes/No	Yes/No	Yes/No	Yes/No	Yes/No
Friday	Yes/No	Yes/No	Yes/No	Yes/No	Yes/No	Yes/No	Yes/No	Yes/No	Yes/No	Yes/No
Saturday	Yes/No	Yes/No	Yes/No	Yes/No	Yes/No	Yes/No	Yes/No	Yes/No	Yes/No	Yes/No
Holidays										
Xept Holiday	Yes/No	Yes/No	Yes/No	Yes/No	Yes/No	Yes/No	Yes/No	Yes/No	Yes/No	Yes/No
Holiday 1	Yes/No	Yes/No	Yes/No	Yes/No	Yes/No	Yes/No	Yes/No	Yes/No	Yes/No	Yes/No
Holiday 2	Yes/No	Yes/No	Yes/No	Yes/No	Yes/No	Yes/No	Yes/No	Yes/No	Yes/No	Yes/No
Holiday 3	Yes/No	Yes/No	Yes/No	Yes/No	Yes/No	Yes/No	Yes/No	Yes/No	Yes/No	Yes/No
Holiday 4	Yes/No	Yes/No	Yes/No	Yes/No	Yes/No	Yes/No	Yes/No	Yes/No	Yes/No	Yes/No

Default values are shown in () or in **bold****RADXSKE**D Handler**Skeds (continued)****Skeds 21 to 30**

	Sked 21	Sked 22	Sked 23	Sked 24	Sked 25	Sked 26	Sked 27	Sked 28	Sked 29	Sked 30
Time Edit	Yes/No	Yes/No	Yes/No	Yes/No	Yes/No	Yes/No	Yes/No	Yes/No	Yes/No	Yes/No
Function Code	__	__	__	__	__	__	__	__	__	__
Parameter 1	_____	_____	_____	_____	_____	_____	_____	_____	_____	_____
Parameter 2	_____	_____	_____	_____	_____	_____	_____	_____	_____	_____
Time	__:__:__	__:__:__	__:__:__	__:__:__	__:__:__	__:__:__	__:__:__	__:__:__	__:__:__	__:__:__
Date	__/__/__	__/__/__	__/__/__	__/__/__	__/__/__	__/__/__	__/__/__	__/__/__	__/__/__	__/__/__
Day of Week										
Sunday	Yes/No	Yes/No	Yes/No	Yes/No	Yes/No	Yes/No	Yes/No	Yes/No	Yes/No	Yes/No
Monday	Yes/No	Yes/No	Yes/No	Yes/No	Yes/No	Yes/No	Yes/No	Yes/No	Yes/No	Yes/No
Tuesday	Yes/No	Yes/No	Yes/No	Yes/No	Yes/No	Yes/No	Yes/No	Yes/No	Yes/No	Yes/No
Wednesday	Yes/No	Yes/No	Yes/No	Yes/No	Yes/No	Yes/No	Yes/No	Yes/No	Yes/No	Yes/No
Thursday	Yes/No	Yes/No	Yes/No	Yes/No	Yes/No	Yes/No	Yes/No	Yes/No	Yes/No	Yes/No
Friday	Yes/No	Yes/No	Yes/No	Yes/No	Yes/No	Yes/No	Yes/No	Yes/No	Yes/No	Yes/No
Saturday	Yes/No	Yes/No	Yes/No	Yes/No	Yes/No	Yes/No	Yes/No	Yes/No	Yes/No	Yes/No
Holidays										
Xept Holiday	Yes/No	Yes/No	Yes/No	Yes/No	Yes/No	Yes/No	Yes/No	Yes/No	Yes/No	Yes/No
Holiday 1	Yes/No	Yes/No	Yes/No	Yes/No	Yes/No	Yes/No	Yes/No	Yes/No	Yes/No	Yes/No
Holiday 2	Yes/No	Yes/No	Yes/No	Yes/No	Yes/No	Yes/No	Yes/No	Yes/No	Yes/No	Yes/No
Holiday 3	Yes/No	Yes/No	Yes/No	Yes/No	Yes/No	Yes/No	Yes/No	Yes/No	Yes/No	Yes/No
Holiday 4	Yes/No	Yes/No	Yes/No	Yes/No	Yes/No	Yes/No	Yes/No	Yes/No	Yes/No	Yes/No

Skeds 31 to 40

	Sked 31	Sked 32	Sked 33	Sked 34	Sked 35	Sked 36	Sked 37	Sked 38	Sked 39	Sked 40
Time Edit	Yes/No	Yes/No	Yes/No	Yes/No	Yes/No	Yes/No	Yes/No	Yes/No	Yes/No	Yes/No
Function Code	__	__	__	__	__	__	__	__	__	__
Parameter 1	_____	_____	_____	_____	_____	_____	_____	_____	_____	_____
Parameter 2	_____	_____	_____	_____	_____	_____	_____	_____	_____	_____
Time	__:__:__	__:__:__	__:__:__	__:__:__	__:__:__	__:__:__	__:__:__	__:__:__	__:__:__	__:__:__
Date	__/__/__	__/__/__	__/__/__	__/__/__	__/__/__	__/__/__	__/__/__	__/__/__	__/__/__	__/__/__
Day of Week										
Sunday	Yes/No	Yes/No	Yes/No	Yes/No	Yes/No	Yes/No	Yes/No	Yes/No	Yes/No	Yes/No
Monday	Yes/No	Yes/No	Yes/No	Yes/No	Yes/No	Yes/No	Yes/No	Yes/No	Yes/No	Yes/No
Tuesday	Yes/No	Yes/No	Yes/No	Yes/No	Yes/No	Yes/No	Yes/No	Yes/No	Yes/No	Yes/No
Wednesday	Yes/No	Yes/No	Yes/No	Yes/No	Yes/No	Yes/No	Yes/No	Yes/No	Yes/No	Yes/No
Thursday	Yes/No	Yes/No	Yes/No	Yes/No	Yes/No	Yes/No	Yes/No	Yes/No	Yes/No	Yes/No
Friday	Yes/No	Yes/No	Yes/No	Yes/No	Yes/No	Yes/No	Yes/No	Yes/No	Yes/No	Yes/No
Saturday	Yes/No	Yes/No	Yes/No	Yes/No	Yes/No	Yes/No	Yes/No	Yes/No	Yes/No	Yes/No
Holidays										
Xept Holiday	Yes/No	Yes/No	Yes/No	Yes/No	Yes/No	Yes/No	Yes/No	Yes/No	Yes/No	Yes/No
Holiday 1	Yes/No	Yes/No	Yes/No	Yes/No	Yes/No	Yes/No	Yes/No	Yes/No	Yes/No	Yes/No
Holiday 2	Yes/No	Yes/No	Yes/No	Yes/No	Yes/No	Yes/No	Yes/No	Yes/No	Yes/No	Yes/No
Holiday 3	Yes/No	Yes/No	Yes/No	Yes/No	Yes/No	Yes/No	Yes/No	Yes/No	Yes/No	Yes/No
Holiday 4	Yes/No	Yes/No	Yes/No	Yes/No	Yes/No	Yes/No	Yes/No	Yes/No	Yes/No	Yes/No

RADXSKED Handler

Default values are shown in () or in **bold**

Skeds (continued)

Sked Function Codes

Function	Function Code	Parameter 1		Parameter 2	
		Description	Selection	Description	Selection
Blank Not in use (all inactive Skeds must have a Blank entry in Function Code for panel efficiency).					
Arm Area	1	Area 1 Area 2 Area 3 Area 4	Yes / No Yes / No Yes / No Yes / No		
Disarm Area	2	Area 1 Area 2 Area 3 Area 4	Yes / No Yes / No Yes / No Yes / No		
Bypass a Point A point can be bypassed only if you program it to allow bypassing in Point Parameters. The bypassed point is reported if Bypass Reports is programmed Yes for the point.	3	Point Number	Blank, 1 - 40		
Unbypass a Point	4	Point Number	Blank, 1 - 40		
Unbypass All Points	5	Area 1 Area 2 Area 3 Area 4	Yes / No Yes / No Yes / No Yes / No		
Relay On	6	Relay Number	Blank, 1 - 24		
Relay Off	7	Relay Number	Blank, 1 - 24		
All Relays Off	8	None			
Test Report Generates a test report. The report is sent to the Phone(s) programmed in the Phone Routing Chart.	9	Defer Test	Yes / No	Hourly Test Report	Yes / No
Status Report	10	Defer Status	Yes / No		
Execute Custom Function <i>if Parameter 1 is a non-zero value</i>	11	Cmd Center	0 = default 1 - 8	Custom Function	0 = default* 128 - 131,
Not Used	12				

* Not a valid entry

Default values are shown in () or in **bold****RADXSKE**D Handler**Sked Function Codes (continued)**

Function	Function Code	Parameter 1		Parameter 2	
		Description	Selection	Description	Selection
Blank Not in use (all inactive Skeds must have a Blank entry in Function Code for panel efficiency).					
Adjust Time Forward 1 Hour (Daylight Savings Time adjustment)	13	None			
Adjust Time Backward 1 Hour (Daylight Savings Time adjustment)	14	None			
Sound Watch at Keypad	15	CC 1 CC 2 CC 3 CC 4 CC 5 CC 6 CC 7 CC 8	Yes / No Yes / No Yes / No Yes / No Yes / No Yes / No Yes / No Yes / No		
Expanded Off-Normal Test Report	28	None			
Non-Expanded Off-Normal Test Report	29	None			

RADXSKED Handler

Default values are shown in () or in **bold**

Holiday Indexes

Holiday Index #					Holiday Index #					Holiday Index #				
Date	1	2	3	4	Date	1	2	3	4	Date	1	2	3	4
Jan 1					Feb 1					Mar 1				
2					2					2				
3					3					3				
4					4					4				
5					5					5				
6					6					6				
7					7					7				
8					8					8				
9					9					9				
10					10					10				
11					11					11				
12					12					12				
13					13					13				
14					14					14				
15					15					15				
16					16					16				
17					17					17				
18					18					18				
19					19					19				
20					20					20				
21					21					21				
22					22					22				
23					23					23				
24					24					24				
25					25					25				
26					26					26				
27					27					27				
28					28					28				
29					29					29				
30										30				
31										31				

Holiday Index #					Holiday Index #					Holiday Index #				
Date	1	2	3	4	Date	1	2	3	4	Date	1	2	3	4
Apr 1					May 1					Jun 1				
2					2					2				
3					3					3				
4					4					4				
5					5					5				
6					6					6				
7					7					7				
8					8					8				
9					9					9				
10					10					10				
11					11					11				
12					12					12				
13					13					13				
14					14					14				
15					15					15				
16					16					16				
17					17					17				
18					18					18				
19					19					19				
20					20					20				
21					21					21				
22					22					22				
23					23					23				
24					24					24				
25					25					25				
26					26					26				
27					27					27				
28					28					28				
29					29					29				
30					30					30				
					31									

Default values are shown in () or in **bold**

RADXSKED Handler

Holiday Indexes (continued)

Holiday Index #					Holiday Index #					Holiday Index #				
Date	1	2	3	4	Date	1	2	3	4	Date	1	2	3	4
Jul 1					Aug 1					Sep 1				
2					2					2				
3					3					3				
4					4					4				
5					5					5				
6					6					6				
7					7					7				
8					8					8				
9					9					9				
10					10					10				
11					11					11				
12					12					12				
13					13					13				
14					14					14				
15					15					15				
16					16					16				
17					17					17				
18					18					18				
19					19					19				
20					20					20				
21					21					21				
22					22					22				
23					23					23				
24					24					24				
25					25					25				
26					26					26				
27					27					27				
28					28					28				
29					29					29				
30					30					30				
31					31					31				

Holiday Index #					Holiday Index #					Holiday Index #				
Date	1	2	3	4	Date	1	2	3	4	Date	1	2	3	4
Oct 1					Nov 1					Dec 1				
2					2					2				
3					3					3				
4					4					4				
5					5					5				
6					6					6				
7					7					7				
8					8					8				
9					9					9				
10					10					10				
11					11					11				
12					12					12				
13					13					13				
14					14					14				
15					15					15				
16					16					16				
17					17					17				
18					18					18				
19					19					19				
20					20					20				
21					21					21				
22					22					22				
23					23					23				
24					24					24				
25					25					25				
26					26					26				
27					27					27				
28					28					28				
29					29					29				
30					30					30				
31					31					31				

GV2AUX HandlerDefault values are shown in () or in **bold****SDI Automation**

Enable SDI Auto	Yes / No	9133 Supervision	Yes / No	DTR Control (On)	_____
Baud Rate (9600)	_____	RTS Control (On)	_____	Status Rate (0)	_____
Parity / Stop (No / 1)	_____		_____		

SDI RPS Parameters

Enable SDI RPS	Yes / No	RPS IP Address 4 (0)	_____	RPS Line Monitor	Yes / No
Call Back Enabled	Yes / No	Enable External Modem	Yes / No	Seize Relay	Yes / No
RPS IP Address 1 (0)	_____	Answer Armed (7)	_____	Modem Init String (ATE2010)	_____
RPS IP Address 2 (0)	_____	Answer Disarmed (7)	_____	RPS Dial String (ATDT)	_____
RPS IP Address 3 (0)	_____				

Enhanced Communication

Enable Enhanced Comm	Yes / No								
Path 1 IP Add1 (0)	_____	Path 2 IP Add1 (0)	_____	Path 3 IP Add1 (0)	_____	Path 4 IP Add1 (0)	_____		
Path 1 IP Add2 (0)	_____	Path 2 IP Add2 (0)	_____	Path 3 IP Add2 (0)	_____	Path 4 IP Add2 (0)	_____		
Path 1 IP Add3 (0)	_____	Path 2 IP Add3 (0)	_____	Path 3 IP Add3 (0)	_____	Path 4 IP Add3 (0)	_____		
Path 1 IP Add4 (0)	_____	Path 2 IP Add4 (0)	_____	Path 3 IP Add4 (0)	_____	Path 4 IP Add4 (0)	_____		
Path 1 Poll Rate (0)	_____	Path 2 Poll Rate (0)	_____	Path 3 Poll Rate (0)	_____	Path 4 Poll Rate (0)	_____		
Path 1 Ack Wait (13)	_____	Path 2 Ack Wait (13)	_____	Path 3 Ack Wait (13)	_____	Path 4 Ack Wait (13)	_____		
Path 1 Retry Count (5)	_____	Path 2 Retry Count (5)	_____	Path 3 Retry Count (5)	_____	Path 4 Retry Count (5)	_____		

Route Group Attempts

RG1 1 Attempt	Yes / No	RG3 1 Attempt	Yes / No
RG2 1 Attempt	Yes / No	RG4 1 Attempt	Yes / No

Reserved for future use

SDI RPS / Enhanced Communication Configuration

Baud Rate (9600)	_____	DTR Control (On)	_____
Parity / Stop (No / 1)	_____	9133 Supervision	Yes / No
RTS Control (On)	_____	Base Port Number (7700)	_____

Miscellaneous

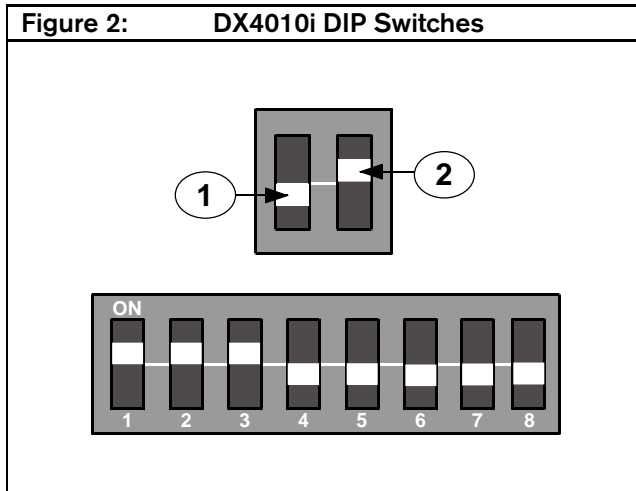
Fire Supv Res Event (0)	_____	Enable Anti Replay	Yes / No
Enable Protocol Type	Yes / No	Fire Trouble Resound (0)	_____
Early Ambush Time	____(10)____	Second Ambush Code	Unique / Any

Cross Point Parameters

Cross Point Time (20)	_____
-----------------------	-------

Default values are shown in () or in **bold**

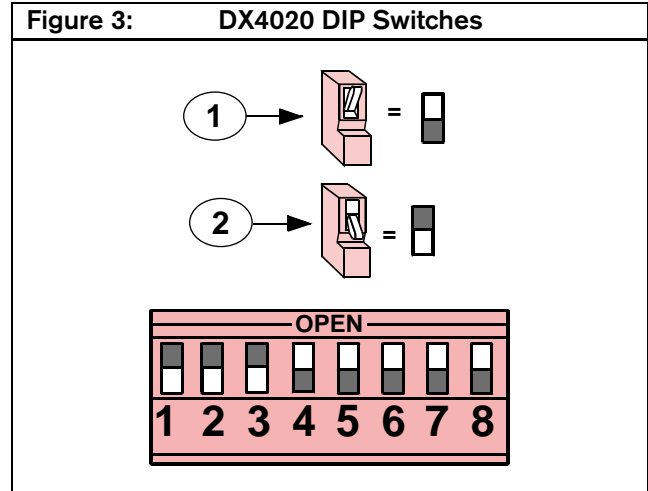
GV2AUX Handler



1 – OFF position

2 – ON position

Setting shown is for Address 88. For Address 80, move Switch 4 up to the ON position.



1 – OPEN (up) position

2 – CLOSED (down) position

Setting shown is for Address 88. For Address 80, move Switch 4 down to the Closed position.

DX4010i Serial Interface Module

The switches must be set to Address 80 for home or building automation purposes.

The switches must be set to Address 88 for use with RPS or alternate communications in a LAN or WAN application.

	Address	1	2	3	4	5	6	7	8
	80	ON	ON	ON	ON	N/A	N/A	OFF	N/A
	88	ON	ON	ON	OFF	N/A	N/A	OFF	N/A

DX4020 Network Interface Module

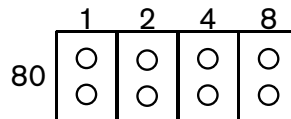
The switches must be set to Address 80 for home or building automation purposes.

The switches must be set to Address 88 for use with RPS or alternate communications in a LAN or WAN application.

	Address	1	2	3	4	5	6	7	8
	80	Closed	Closed	Closed	Closed	N/A	N/A	Open	N/A
	88	Closed	Closed	Closed	Open	N/A	N/A	Open	N/A

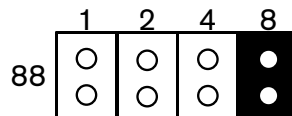
D9133 Serial Interface Module

No jumper settings are required for the D9133 (SDI Address 80) for home or building automation purposes. All jumper shunts must be removed for this setting.



D9133TTL-E Network Interface Module

A jumper must be placed over Pin 8 for the D9133TTL-E (SDI Address 88) for RPS or alternate communications in a LAN or WAN application.



Note: The D9133DC Direct Connect Programming Module, when used for local RPS programming, must be set to Address 88.

RADXAXS HandlerDefault values are shown in () or in **bold****Printer Address Settings**

Printer	Address Switches					
	1	2	3	4*	5	6
17	On	On	On	On	On	On

*Switch 4: On = Header and Form Feed (default),
Off = No Header or Form Feed

D8128C OctoPOPIT Switch Settings

ZONEX 1 Points 9 to 40	Address Switches				
	0	1	2	3	4
9-16	On	On	On	On	*
17-24	On	On	On	Off	*
25-32	On	On	Off	On	*
33-40	On	On	Off	Off	*

*Line Termination Switch

Keypad Assignments

Address #	Address Switches					
	1	2	3	4	5*	6
Address 1	On	On	On	On	On	On
Address 2	Off	On	On	On	On	On
Address 3	On	Off	On	On	On	On
Address 4	Off	Off	On	On	On	On
Address 5	On	On	Off	On	On	On
Address 6	Off	On	Off	On	On	On
Address 7	On	Off	Off	On	On	On
Address 8	Off	Off	Off	On	On	On

*Switch 5: On = Encoding Tone On (default),
Off = Encoding Tone Off

OctoRelay Switch Settings

ZONEX 1 Terminals 27 and 28 Relays 1 to 24	Address Switches			
	1	2	3	4
1 – 8	Off	On	On	On
9 – 16	On	Off	On	On
17 – 24	Off	Off	On	On

D8128D OctoPOPIT Switch Settings

ZONEX 1 Points 9 to 40	Address Switches				
	1	2	3	4	5
9-16	On	On	On	On	*
17-24	On	On	On	Off	*
25-32	On	On	Off	On	*
33-40	On	On	Off	Off	*

*Line Termination Switch

Notes

Bosch Security Systems
130 Perinton Parkway
Fairport, NY 14450-9199
Customer Service: (800) 289-0096
Technical Support: (888) 886-6189

© 2005 Bosch Security Systems
F01U003803B



BOSCH